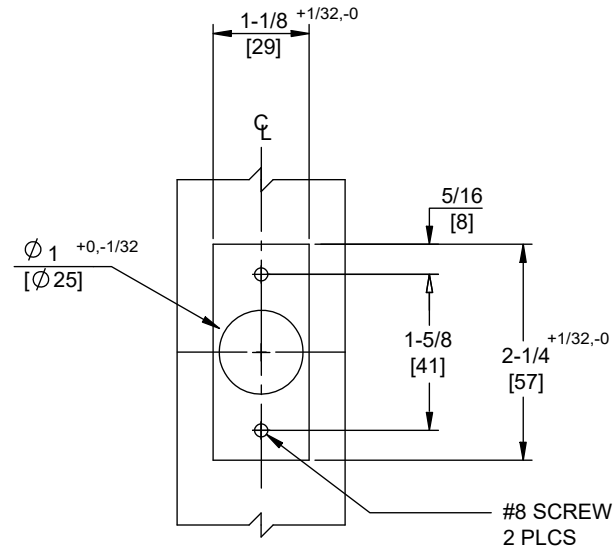
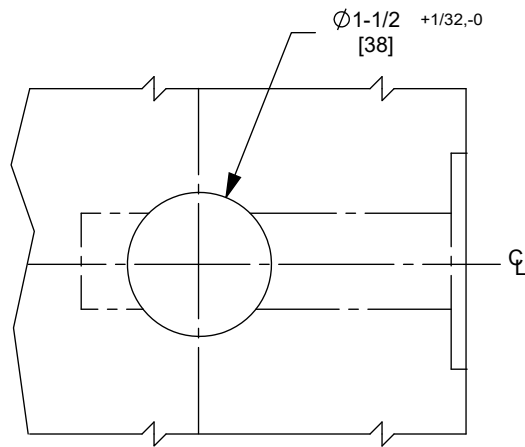


NOTES:

1. DIMENSIONS ARE IN INCHES/[MM]
2. DO NOT SCALE DRAWING.



NOT TO SCALE. MEASUREMENTS ARE FOR REFERENCE ONLY. NOT A DRILLING TEMPLATE.

WOOD DOOR FOR:
 D800 SERIES (BORED HOLE 1-1/2" DIAMETER)
 FACE PLATE 1-1/8" FLAT OR BEVELED

